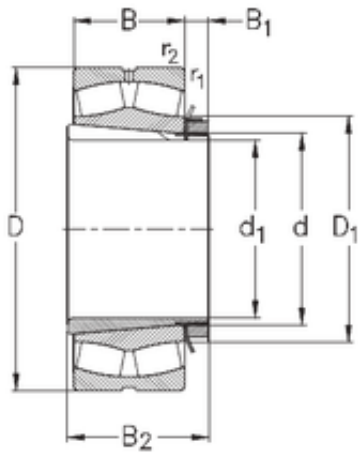




????????? ?? ??????????...



110 mm x 170 mm x 45 mm NKE 23022-K-MB-W33+H322

Bearing No. 23022-K-MB-W33+H322

23022-K-MB-W33+H322 Bearing 2D drawings and 3D CAD models

Size	110x170x45 mm
Bore Diameter	110 mm
Outer Diameter	170 mm
Width	45 mm
d	110 mm
d1	100 mm
D	170 mm
B	45 mm
C	45 mm
r1 min.	2 mm
r2 min.	2 mm
B1	21 mm
B2	77 mm
D1	145 mm
Weight	5,59 Kg
Basic dynamic load rating (C)	274 kN
Basic static load rating (C0)	447 kN
Limiting speed	4300 r/min
Calculation factor (e)	0,26
Calculation factor (Y0)	2,5
Calculation factor (Y1)	2,55